

# Mi-T-M<sup>®</sup> CORPORATION

8650 Enterprise Drive, Peosta IA 52068  
319-556-7484 / Fax 319-556-1235

## CW-6106-2MDK PARTS LIST

<b>Engine Horsepower:</b>	<b>37.5</b>
<b>Engine Oil Grade:</b>	<b>SAE 10W 30 CC/CD/CE</b>
<b>Engine Oil Capacity:</b>	<b>6 Qt., 11 oz.</b>
<b>Pump Oil Grade:</b>	<b>Mi-T-M Pump Oil AW-4085-0016</b>
<b>Pump Oil Capacity:</b>	<b>2 Qt., 25 oz.</b>
<b>Nozzle Size:</b>	<b>5.0</b>

This Parts Listing has been compiled for your benefit. You can be assured your Mi-T-M® pressure washer was constructed and designed with quality and performance in mind using over 25 years experience in the pressure washer business. Each component has been rigorously tested to insure the highest level of acceptance.

The contents of this Parts Listing are based on the latest product information available at the time of publication. Mi-T-M reserves the right to make changes in price, color, materials, equipment, specifications or models at any time without notice.



THIS IS A PROFESSIONAL HIGH PRESSURE WASHER PRODUCING 6.3 GPM @ 6100 PSI. THIS WATER/PRESSURE COMBINATION IS CAPABLE OF CUTTING CONCRETE! **EXTREME CAUTION** SHOULD BE OBSERVED WHEN USING OR REPAIRING THIS UNIT! READ AND FOLLOW THE SAFETY WARNINGS LISTED BELOW BEFORE ATTEMPTING ANY REPAIRS ON THIS PRESSURE WASHER!

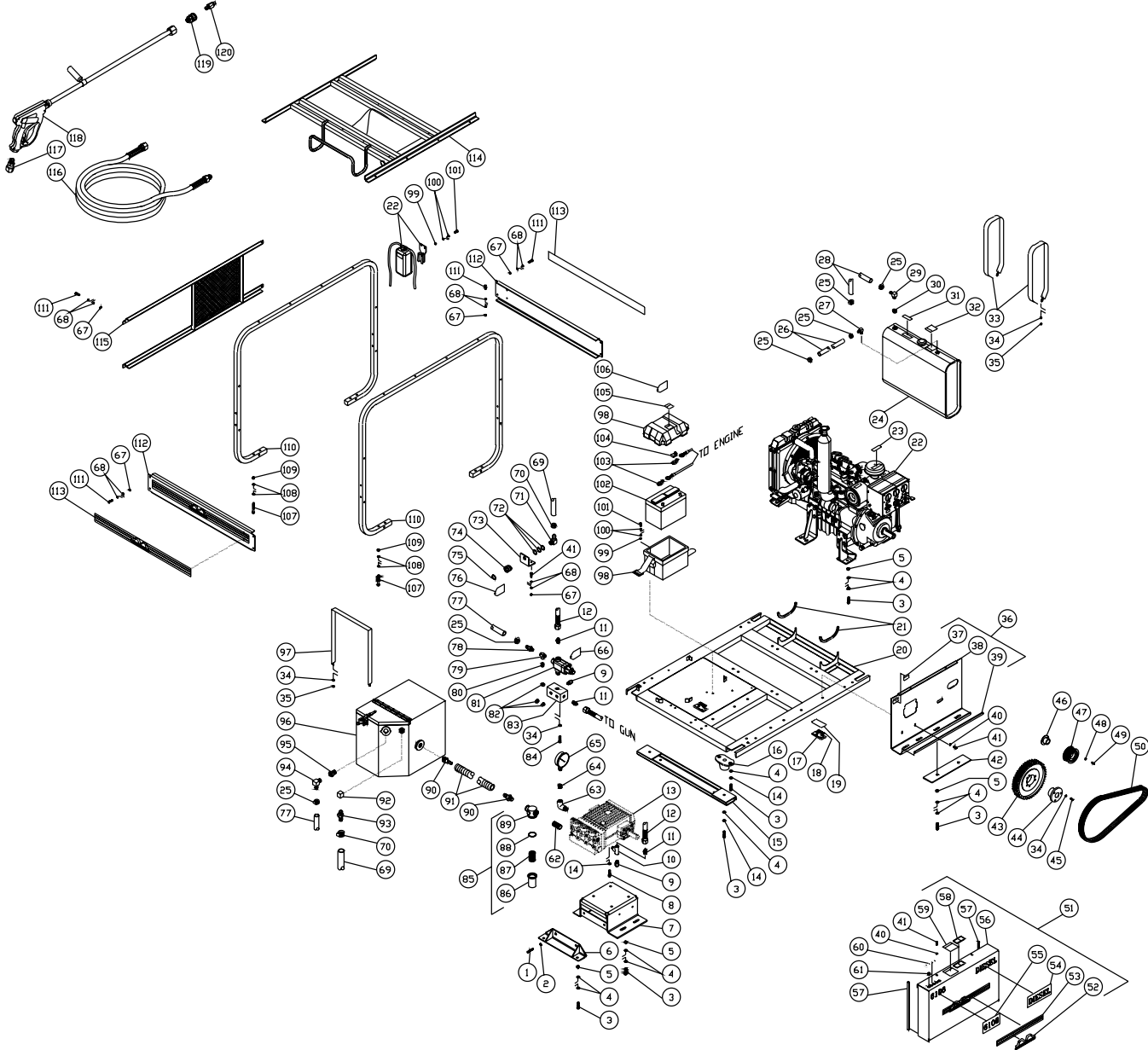
 **SAFETY WARNINGS** 

1. NEVER alter or modify the equipment. Be sure any accessory items and system components being used will withstand the pressure developed. Use only genuine replacement parts for repair of your pressure washer. Failure to do so can cause hazardous operating conditions and will VOID warranty.
2. Do not make repairs while the unit is running. Before servicing the unit, turn unit off, relieve the water pressure and allow the unit to cool down. Relieve all pressure in the air, the oil and cooling system before any line, fittings or related items are removed or disconnected. Be alert for possible pressure when disconnecting any device from a system that utilizes pressure. **DO NOT CHECK FOR PRESSURE LEAKS WITH YOUR HAND!!** High pressure spray can penetrate the skin causing serious injury or death!
3. NEVER make adjustments on machinery while the unit is connected to the engine without first removing the positive cable from the battery. Turning over the machinery by hand during adjustment or cleaning might start the engine and machinery with it, causing serious injury to the operator.
4. Never remove the radiator cap or the reserve tank cap while the engine is still hot. Failure to observe this precaution may cause hot water to gush out of the cap, which could scald the operator or bystanders.
5. Before testing the unit, ensure all protective covers are in place. After testing the machine, **DO NOT** leave the pressurized unit unattended. Shut off the unit and release trapped pressure before leaving.
6. **DO NOT** jump start the battery unless both batteries are of equal voltage and amperage.
7. NEVER run the unit with the governor disconnected or operate at excessive speeds.
8. Know how to stop and bleed pressures quickly. Be thoroughly familiar with controls.
9. Service in a clean, dry, flat area. Be especially careful to properly dispose of any flammable materials.

## TABLE OF CONTENTS

FRAME ASSEMBLY FOR CW-6106-2MDK .....	4
KUBOTA ENGINE ASSEMBLY (1-0096).....	6
ENGINE ASSEMBLY (851-0287) .....	8
ROCKFORD CLUTCH ASSEMBLY (45-0056) .....	10
FLOAT TANK ASSEMBLY (851-0288) .....	12
PUMP ASSEMBLY (3-0048) .....	14
SAFETY RELIEF ASSEMBLY (22-0217) .....	16
UNLOADER ASSEMBLY (8-0436) .....	17
GUN ASSEMBLY (16-0107) .....	18
WIRING DIAGRAM FOR CW-6106-2MDK .....	20
WIRING SCHEMATIC FOR CW-6106-2MDK .....	21

# FRAME ASSEMBLY FOR CW-6106-2MDK

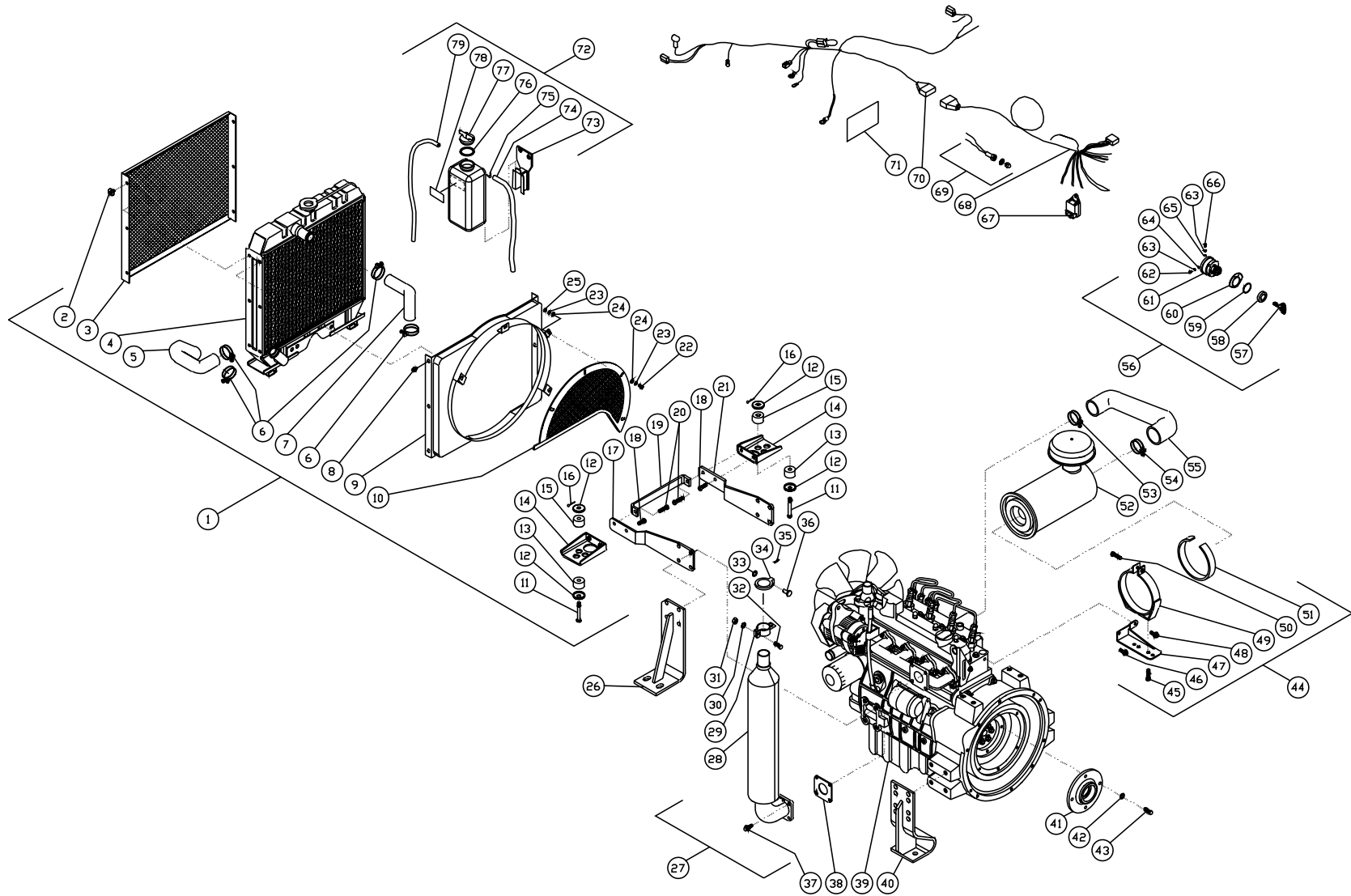


0MCWU227/121896/DCE

FRAME ASSEMBLY FOR CW-6106-2MDK											
REF. #	DESCRIPTION	PART #	QTY.	REF. #	DESCRIPTION	PART #	QTY.	REF. #	DESCRIPTION	PART #	QTY.
1	Bolt	27-8478	2	42	Beltguard Spacer	20-0392A01	1	83	Unloader Block	51-0014	1
2	Lockwasher	29-0009	2	43	Sprocket-Pump	10-0079	1	84	Bolt	27-0118	4
3	Bolt	27-0217	28	44	Bushing-Pump	9-0039	1	85	Strainer Complete (86-89)	19-0035	1
4	Washer	28-0006	44	45	Bolt	27-0138	3	86	Strainer Bowl	19-0046	1
5	Locknut	30-0163	16	46	Bushing-Engine	9-0063	1	87	Strainer Screen	19-0037	1
6	Angle Bracket	13-0115A01	1	47	Sprocket-Engine	10-0078	1	88	Strainer Gasket	19-0048	1
7	Pump Mount Bracket	5-0127A01	1	48	Lockwasher	29-0006	3	89	Strainer Cap	19-0047	1
8	Bolt	27-8301	4	49	Bolt	27-0037	3	90	Hose Barb	23-0091	2
9	Safety Relief / Burst Disc 10,000 PSI	22-0217	2	50	Belt	11-0038	1	91	Hose *(2 feet required)	15-0172	1
10	Branch Tee	24-0144	1	51	Beltguard Cover Assy. (52-61)	851-0290	1	92	Elbow	23-0298	1
11	Connector	24-0054	3	52	Mi-T-M Logo	62-0087	1	93	Hose Barb	23-0036	1
12	High Pressure Hose	15-0132	1	53	Decal-Mi-T-M Stripe	34-0501	1	94	Elbow	23-0053	1
13	Pump	3-0048	1	54	Decal-White Die Cut: Diesel	34-0046	1	95	Reducer	23-0023	1
14	Lockwasher	29-0010	16	55	Decal-White Die Cut: 6106	34-0296	1	96	Float Tank Assembly	851-0288	1
15	Frame Support	20-0391A01	2	56	Beltguard Cover	6-0071A01	1	97	Float Tank Strap	20-0401A01	1
16	Vibration Dampener	14-0024	4	57	Edging *(3 feet required)	33-0020	1	98	Battery Box	33-0093	1
17	Silver Sticker	34-0075	1	58	Decal-Warning: Muffler Hot	34-0130	1	99	Locknut	30-0155	4
18	Cold Water Serial Number	N/A	1	59	Decal-Caution: Risk of Injection	34-0283	1	100	Washer	28-0002	8
19	Decal-Clear Laminate	34-0210	1	60	Decal-Nozzle Sizes	34-0500	1	101	Bolt	27-0016	4
20	Frame Assembly	5-0126A01	1	61	Grommet	33-0001	5	102	Battery	32-0177	1
21	Edging *(2 feet required)	33-0020	1	62	Nipple	23-0092	1	103	Battery Ends (Set of 2)	32-0066	1
22	Engine	851-0287	1	63	Elbow	24-0006	1	104	Terminal Cover	33-0036	1
23	Decal-Do Not Use Ether	34-0141	1	64	Reducer	24-0053	1	105	Decal-Caution: Battery Terminal	34-0589	1
24	Fuel Tank 9.8 Gallons	12-0053A01	1	65	Gauge	22-0079	1	106	Tag-Battery	34-0096	1
25	Hose Clamp	42-0004	6	66	Tag-Preset Unloader	34-0099	1	107	Bolt	27-0171	8
26	Fuel Line Hose *(1 foot required)	15-0008	1	67	Locknut	30-0157	22	108	Washer	28-0005	16
27	Elbow	23-0054	1	68	Washer	28-0003	44	109	Locknut	30-0161	8
28	Fuel Line Hose *(1 foot required)	15-0031	1	69	Bypass Hose *(2 feet required)	15-0033	1	110	Side Rail	20-0398A01	2
29	Elbow	23-0300	1	70	Hose Clamp	42-0018	2	111	Bolt	27-0071	20
30	Reducer	23-0017	1	71	Elbow	23-0037	1	112	Rail Support	20-0402A01	2
31	Decal-Caution: Diesel Fuel Only	34-0089	1	72	Washer	28-0008	3	113	Decal-Mi-T-M Stripe	34-0725	2
32	Decal-Caution: Risk of Fire	34-0284	1	73	Bracket	13-0117A01	1	114	Lifting Hook	20-0399A01	1
33	Fuel Tank Strap	20-0400A01	2	74	Garden Hose Swivel	23-0001	1	115	Radiator Guard	6-0072A01	1
34	Lockwasher	29-0008	13	75	Garden Hose Gasket	26-0001	1	116	High Pressure Hose	15-0131	1
35	Hex Nut	30-0006	6	76	Tag-Inlet Water Supply	34-0097	1	117	Connector	24-0115	1
36	Beltguard Back Assembly (37-39)	851-0289	1	77	Hose *(1 foot required)	15-0007	1	118	Gun w/48" Lance	16-0107	1
37	Decal-Warning: Beltguard	34-0575	1	78	Hose Barb	23-0045	1	119	Quick Connect Socket	17-0020	1
38	Beltguard Back	6-0070A01	1	79	Street Tee	23-0124	1	120	Spray Nozzle-0005	851-0039	1
39	Edging *(3 feet required)	33-0020	1	80	Heat Dump Valve	22-0005	1		Spray Nozzle-1505	851-0042	1
40	Lockwasher	29-0007	4	81	Unloader	8-0436	1		Spray Nozzle-2505	851-0040	1
41	Bolt	27-0067	6	82	Plug	39-0009	3		Spray Nozzle-4004	851-0017	1

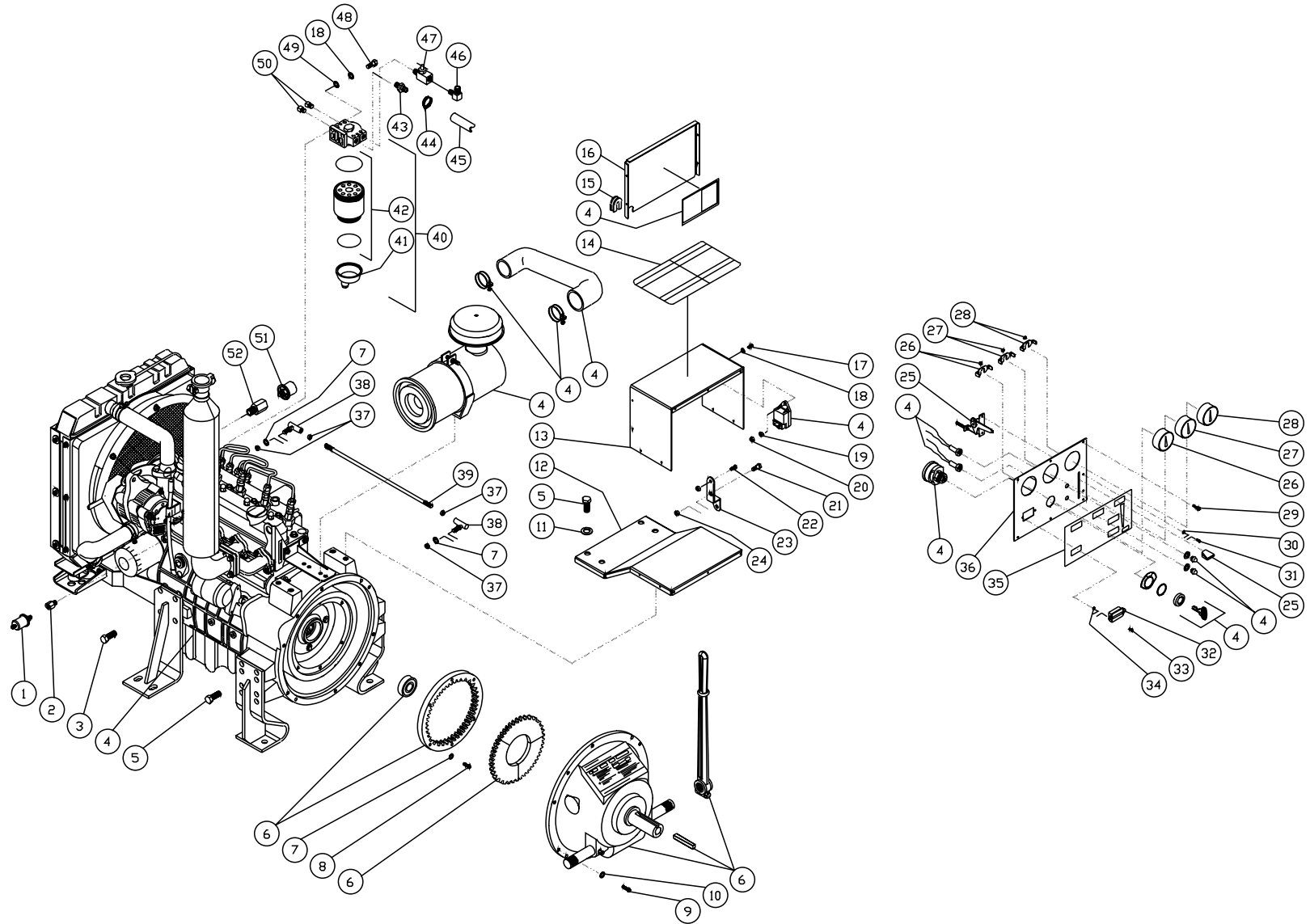
Must order in one foot lengths.

# KUBOTA ENGINE ASSEMBLY (1-0096)



KUBOTA ENGINE ASSEMBLY (1-0096)											
REF. #	DESCRIPTION	KUBOTA PART #	QTY.	REF. #	DESCRIPTION	KUBOTA PART #	QTY.	REF. #	DESCRIPTION	KUBOTA PART #	QTY.
1	Radiator Kit (2-25)	16626-72001	1	28	Muffler	15442-12111	1	55	Pipe Inlet	16616-11621	1
2	Bolt	01023-50612	6	29	Cap Band	19428-12681	1	56	Starter Switch Kit (57-66)	66706-55123	1
3	Radiator Net	19416-72251	1	30	Lockwasher	04512-50060	1	57	Switch Key	66711-55144	2
4	Radiator Assembly	16626-72061	1	31	Hex Nut	02056-50060	1	58	Switch Cap	N/A	1
5	Water Hose	16626-72851	1	32	Bolt	01053-50620	1	59	Switch Gasket	N/A	1
6	Hose Clamp	36200-82721	4	33	Washer-Plain	04512-50060	1	60	Starter Switch Label	66706-55151	1
7	Water Hose	16626-72941	1	34	Muffler Cap	19427-12671	1	61	Starter Switch	66711-55132	1
8	Bolt (w/Radiator)	N/A	6	35	Split Pin	05511-51612	1	62	Screw	N/A	2
9	Fan Guard (w/Radiator)	N/A	1	36	Pin	05122-50612	1	63	Lockwasher	N/A	5
10	Fan Cover	16616-74122	1	37	Bolt	01123-50822	4	64	Washer	N/A	2
11	Bolt	15108-72383	2	38	Gasket	15263-12370	1	65	Washer	N/A	3
12	Washer	15111-72202	4	39	Engine	V1505-B2	1	66	Screw	N/A	3
13	Cushion	15111-72181	2	40	Rear Mounting Feet	S09	2	67	Lamp Timer	15694-65991	1
14	Radiator Stay	16616-72162	2	41	Bearing Adapter	19416-25692	1	68	Wiring Harness	16616-65811	1
15	Cushion	15111-72191	2	42	Lockwasher (w/Bolt)	N/A	4	69	Lamp	15403-64491	2
16	Snap Pin	05515-51000	2	43	Bolt	01123-50820	4	70	Wire Harness	16616-65821	1
17	Radiator Support	16616-72141	1	44	Air Cleaner Kit (45-55)	16615-11001	1	71	Wiring Label	16616-94691	1
18	Bolt	01123-50822	2	45	Bolt	01123-50814	2	72	Reserve Tank Kit (73-79)	15531-72402	1
19	Radiator Stay	16616-72151	1	46	Bolt	01123-50816	1	73	Reserve Tank Support	19449-72502	1
20	Bolt	01123-50830	2	47	Air Cleaner Stay	16616-11571	1	74	Water Overflow Pipe	15471-72440	1
21	Radiator Support	16616-72131	1	48	Bolt	01123-50820	1	75	Pipe Clip	15501-72470	2
22	Bolt	01053-50614	4	49	Air Cleaner Band	15000-36931	1	76	Gasket	15531-72432	1
23	Lockwasher	04512-50060	8	50	Bolt	01123-50835	1	77	Cap	15531-72422	1
24	Washer	04014-50060	8	51	Cushion	15000-36921	1	78	Caution Label	15501-88210	1
25	Hex Nut	02056-50060	4	52	Air Cleaner Assembly	16616-11011	1	79	Water Overflow Pipe	15531-72442	1
26	Front Mounting Feet	01133-51030	2	53	Hose Clamp	15221-11722	1		Operators Manual-Kubota	16622-89162	
27	Muffler Kit (28-36)	19428-12003	1	54	Hose Clamp	15401-11721	1				

# ENGINE ASSEMBLY (851-0287)



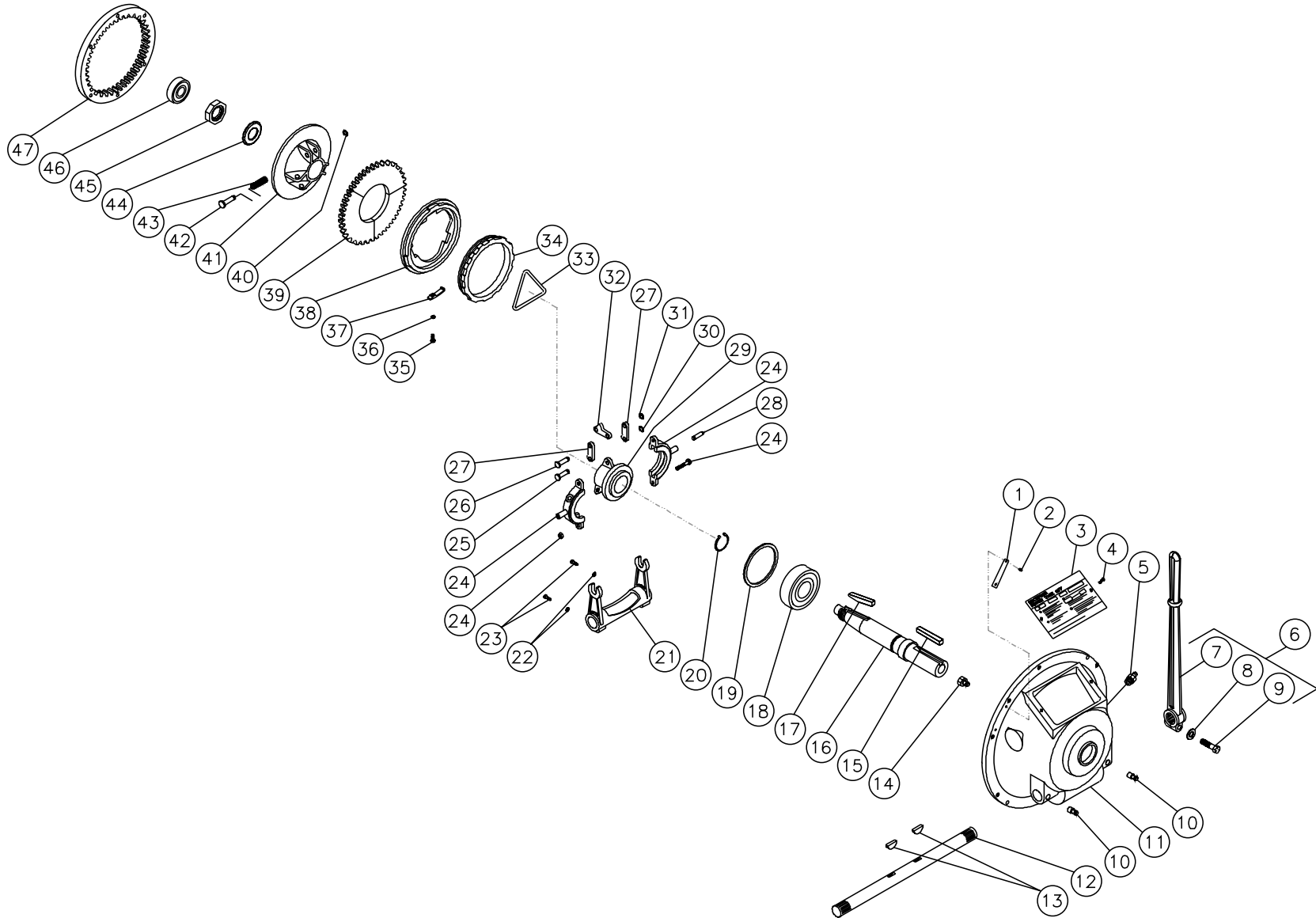
PD8510287/112596/DCE

©Copyright 1996, Mi-T-M Corporation



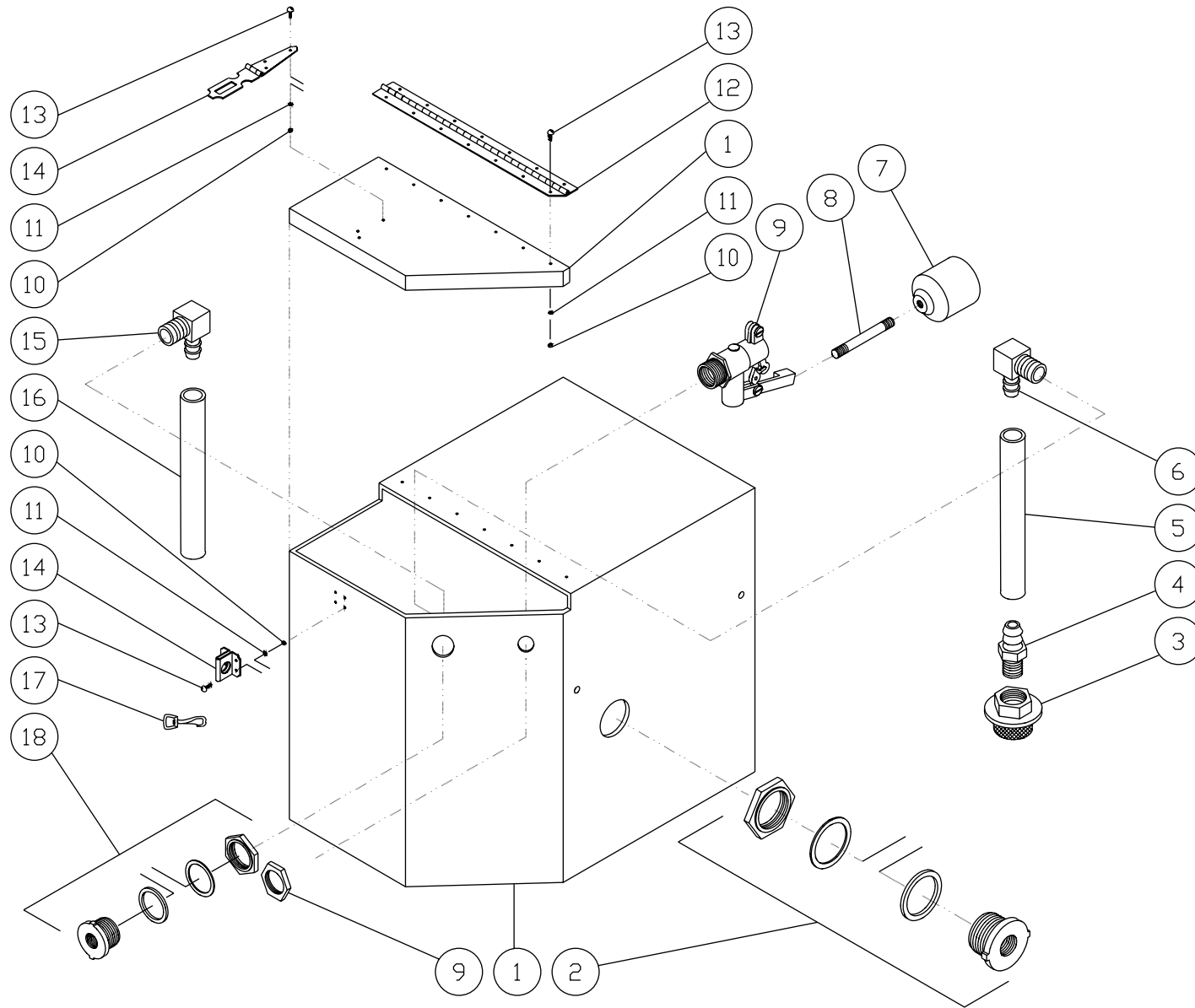
ENGINE ASSEMBLY (851-0287)								
REF. #	DESCRIPTION	PART #	QTY.		REF. #	DESCRIPTION	PART #	QTY.
1	Oil Pressure Sensor	22-0102	1		28	Water Temperature Gauge	22-0103	1
2	Reducer	24-0134	1		29	Screw	27-3062	14
3	Bolt	27-8078	8		30	Locknut	30-0154	2
4	Engine	1-0096	1		31	Screw	27-2930	2
5	Bolt	27-0216	12		32	Hour Meter	32-0431	1
6	Clutch	45-0056	1		33	Screw	27-2048	2
7	Lockwasher	29-0007	8		34	Locknut	30-0152	2
8	Bolt	27-8887	6		35	Decal-Control Panel	34-0740	1
9	Bolt	27-0118	8		36	Panel Control Box	20-0395A01	1
10	Lockwasher	29-0008	8		37	Nut	30-0005	4
11	Washer	28-0006	4		38	Throttle Ball Joint	33-0256	2
12	Bracket	13-0116A01	1		39	Throttle Rod	20-0397A01	1
13	Control Box	20-0393A01	1		40	Fuel Water Seperator (41-42)	19-0049	1
14	Decal-Warning/Caution/Operating	34-0739	1		41	Fuel Water Seperator Bowl	19-0071	1
15	Grommet	33-0001	1		42	Fuel Water Seperator Filter	19-0053	1
16	Control Box- Back	20-0394A01	1		43	Hose Barb	23-0299	1
17	Bolt	27-0016	1		44	Hose Clamp	42-0004	2
18	Lockwasher	29-0006	3		45	Fuel Line Hose *(1 foot required)	15-0031	1
19	Nut	30-0002	1		46	Elbow	23-0300	1
20	Locknut	30-0155	1		47	Shut Off Valve	22-0219	1
21	Stripper Bolt	27-8883	1		48	Bolt	27-8002	2
22	Throttle Cable Connector	33-0109	1		49	Washer	28-0002	2
23	Throttle Linkage	20-0396A01	1		50	Plug	23-0238	2
24	Nut	30-0157	1		51	Water Temperature Sensor	22-0104	1
25	Throttle Control	33-0082	1		52	Reducer	24-0048	1
26	Ammeter	22-0100	1			*Must order in one foot lengths.		
27	Oil Pressure Gauge	22-0101	1					

# ROCKFORD CLUTCH ASSEMBLY (45-0056)



ROCKFORD CLUTCH ASSEMBLY (45-0056)								
REF. #	DESCRIPTION	ROCKFORD PART #	QTY.		REF. #	DESCRIPTION	ROCKFORD PART #	QTY.
1	Name Plate	2-33761	1		27	Link (See Kit 4-15844)	N/A Sep.	6
2	Drive Screw	2-21751	2		28	Grease Zerk	2-69854	1
3	Name Plate	2-19468	1		29	Release Sleeve	2-06570	1
4	Bolt	2-06092	2		30	Retaining Ring (See Kit 4-15844)	N/A Sep.	3
5	Grease Zerk	2-60843	1		31	Retaining Ring (See Kit 4-15844)	N/A Sep.	3
6	Shifting Lever Assembly (7-9)	3-08369	1		32	Lever (See Kit 4-15844)	N/A Sep.	3
7	Shifting Lever (See Kit 3-08369)	N/A Sep.	1		33	Lever Spring (See Kit 4-15844)	N/A Sep.	1
8	Lockwasher (See Kit 3-08369)	N/A Sep.	1		34	Adjusting Ring	2-05825	1
9	Bolt (See Kit 3-08369)	N/A Sep.	1		35	Lock Bolt (See Kit 4-15844)	N/A Sep.	1
10	Grease Zerk	2-07954	2		36	Lockwasher (See Kit 4-15844)	N/A Sep.	1
11	Bell Housing	2-04274	1		37	Adjustment Lock	N/A Sep.	1
12	Cross Shaft	2-06425	1		38	Pressure Plate	2-05496	1
13	Woodruff Key	2-04536	2		39	Facing Plate	2-03573	1
14	Grease Zerk	2-60843	1		40	Retaining Ring (See Kit 4-15844)	N/A Sep.	3
15	Output Key	2-04483	1		41	Clutch Body	2-02998	1
16	Drive Shaft	2-06252	1		42	Clevis Pin (See Kit 4-15844)	N/A Sep.	3
17	Clutch Key	2-04467	1		43	Seperator Spring (See Kit 4-15844)	N/A Sep.	3
18	Main Bearing	2-07438	1		44	Locking Washer	2-07231	1
19	Internal Snap Ring	2-06773	1		45	Nut	2-04746	1
20	External Snap Ring	2-06710	1		46	Pilot Bearing	2-07437	1
21	Release Yoke	2-07360	1		47	Drive Ring	2-05854	1
22	Washer	2-07228	2			Clutch Assembly Kit (Inc. 24-27, 29-43)	4-15844	
23	Bolt	2-03062	2			Sleeve/Bearing Assy. (24, 25, 27, 29, 30)	3-09494	
24	Release Bearing	3-07551	1			Pressure Plate Assy. (34, 38)	3-08805	
25	Clevis Pin (See Kit 4-15844)	N/A Sep.	3			Repair Kit (25-27, 30-33, 35-37, 40, 42, 43)	3-32918	
26	Clevis Pin (See Kit 4-15844)	NA Sep.	3			Shifting Lever Assembly (7-9)	3-08369	

# FLOAT TANK ASSEMBLY (851-0288)

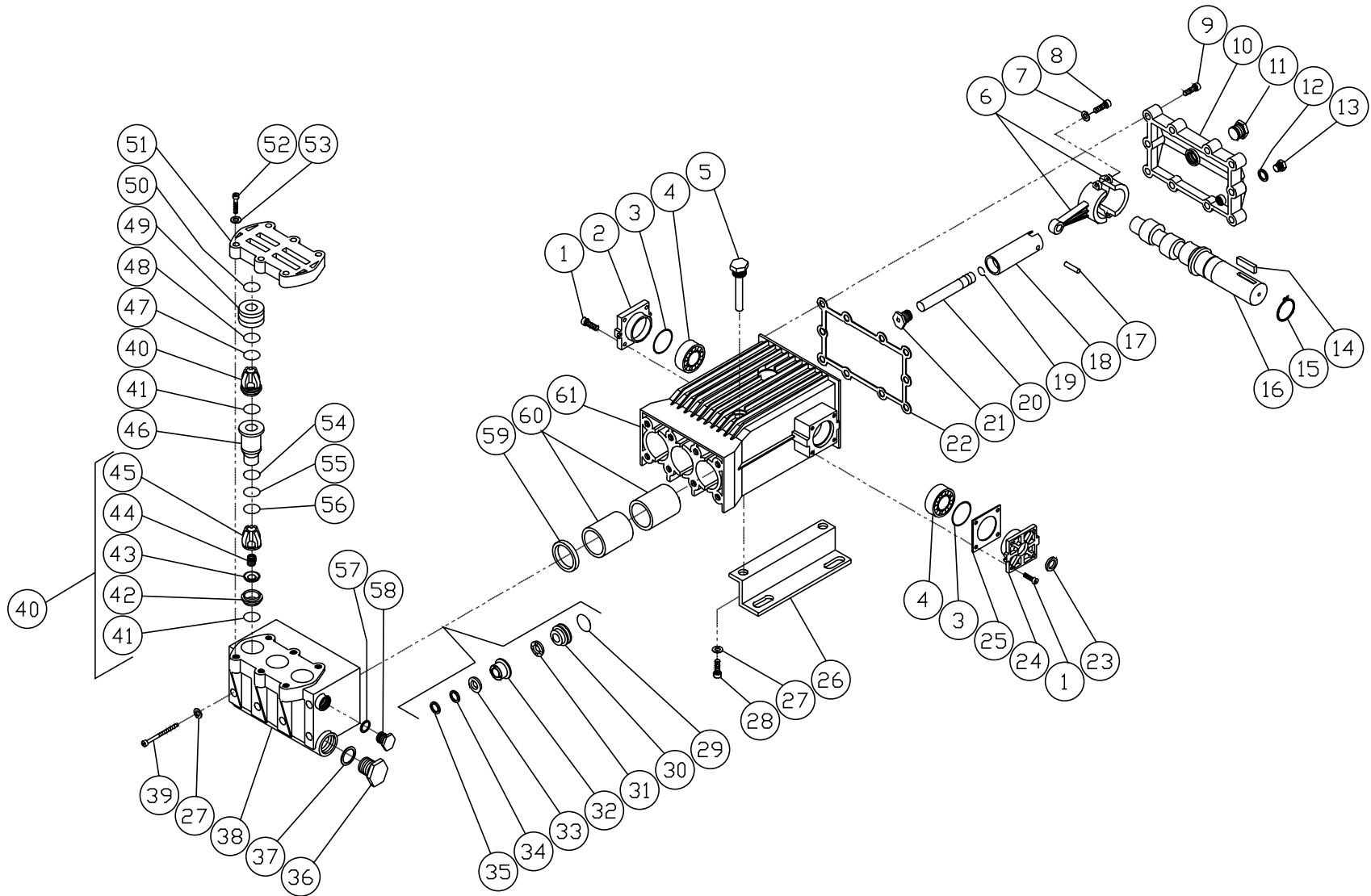


PD8510288/120996/DCE

PD851288/120996/DCE

FLOAT TANK ASSEMBLY (851-0288)			
REF. #	DESCRIPTION	PART #	QTY.
1	Float Tank	12-0054	1
2	Bulkhead Fitting	55-0009	1
3	Filter	19-0074	1
4	Hose Barb	55-0008	1
5	Hose (One foot required)	15-0033	1
6	Elbow	55-0007	1
7	Float	22-0059	1
8	Stud	31-3318	1
9	Float Valve	22-0058	1
10	Nut	30-3001	21
11	Washer	28-0401	21
12	Hinge	851-0293	1
13	Screw	27-8882	21
14	Hasp	33-0258	1
15	Elbow	55-0011	1
16	Hose (1 foot required)	15-0007	1
17	Snap	33-0257	1
18	Bulkhead Fitting	55-0010	1
*Must order in one foot lengths.			

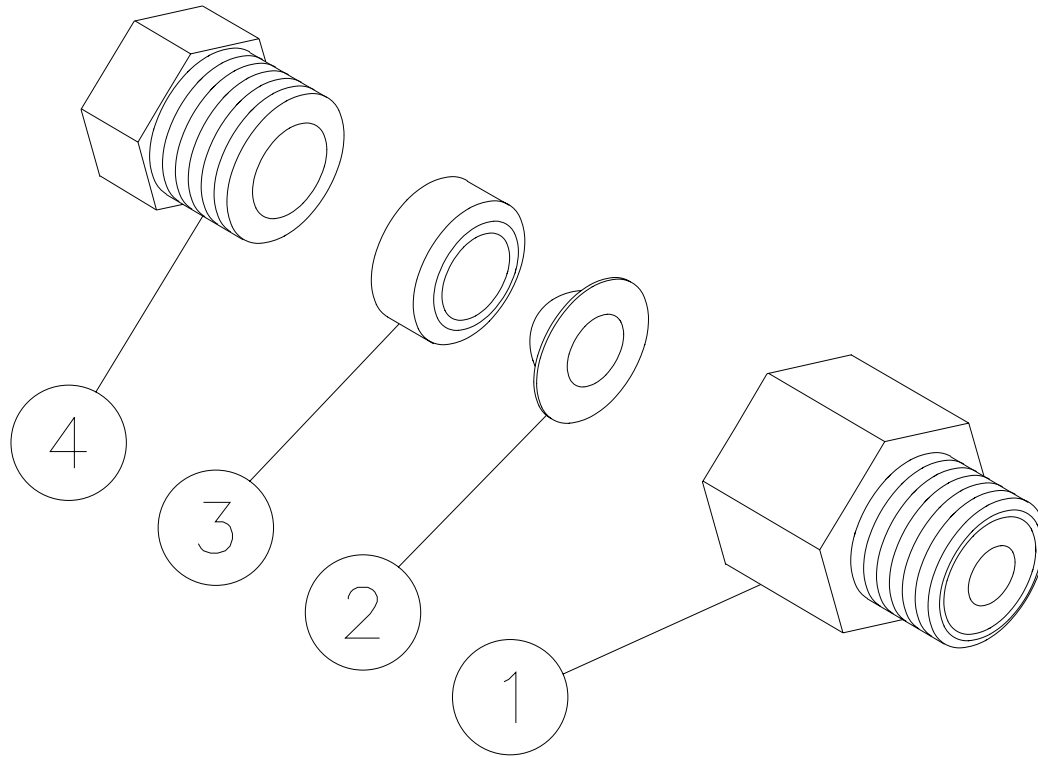
# PUMP ASSEMBLY (3-0048)



OMPMP033/121296/DCE

PUMP ASSEMBLY (3-0048)							
REF. #	DESCRIPTION	PART #	QTY.	REF. #	DESCRIPTION	PART #	QTY.
1	Bolt	27-8461	8	34	High Pressure V-Packing	26-0098	3
2	Cover-Crankcase	46-0172	1	35	High Pressure Head Ring (See 852-0010)	N/A Sep.	3
3	O-ring	25-0062	2	36	Cap	39-0036	1
4	Bearing	48-0020	2	37	Washer	28-0603	1
5	Dipstick	46-0174	1	38	Manifold	46-0556	1
6	Connecting Rods	46-0178	3	39	Screw	27-8387	8
7	Lockwasher	29-0155	6	40	Valve Assembly (41-45)	70-0011	6
8	Bolt	27-8466	6	41	O-ring	25-0299	6
9	Bolt	27-8403	10	42	Valve (See 70-0011)	N/A Sep.	6
10	Cover-Crankcase Rear	46-0391	1	43	Valve Plate (See 70-0011)	N/A Sep.	6
11	Oil Indicator	46-0114	1	44	Spring (See 70-0011)	N/A Sep.	6
12	O-ring	25-0052	2	45	Valve Guide (See 70-0011)	N/A Sep.	6
13	Plug	39-0018	2	46	Guide	46-0559	3
14	Key	43-0045	1	47	O-ring	25-0303	3
15	Snap Ring	46-0105	1	48	Anti-Extrusion Ring	25-0304	3
16	Crankshaft	46-0176	1	49	Cap	39-0069	3
17	Piston Pin	43-0046	3	50	Circle Clip	46-0557	3
18	Piston Guides	46-0179	3	51	Valve Cover	46-0558	1
19	Snap Ring	46-0180	3	52	Screw	27-8180	6
20	Piston	46-0181	3	53	Washer	28-0206	6
21	Piston Screw	46-0182	3	54	O-ring	25-0056	3
22	Gasket	46-0175	1	55	O-ring	25-0301	3
23	Oil Seal	26-0051	1	56	Anti-Extrusion Ring	25-0300	3
24	Cover-Crankcase	46-0392	1	57	Washer	28-0601	1
25	Shim	46-0184	2	58	Cap	39-0037	1
26	Pump Foot	N/A	2	59	Seal	26-0108	3
27	Lockwasher	29-0156	12	60	Bushing	9-0040	6
28	Bolt	27-8301	4	61	Crankcase	46-0173	1
29	O-ring	25-0147	3		Valve Kit (Inc. 6 each 41-45)	70-0011	
30	Low Pressure Seal Retainer	46-0186	3		Packing Kit (Inc. 3 ea. 31, 33, 34)	70-0014	
31	Low Pressure Seal (See 70-0014)	N/A Sep.	3		Head Ring Kit (Inc. 3 each 35)	70-0030	
32	High Pressure Seal Retainer	46-0188	3		Packing Assy. (Inc. 29-35)	852-0010	
33	Re-stop V-Packing	25-0148	3				

## SAFETY RELIEF ASSEMBLY (22-0217)



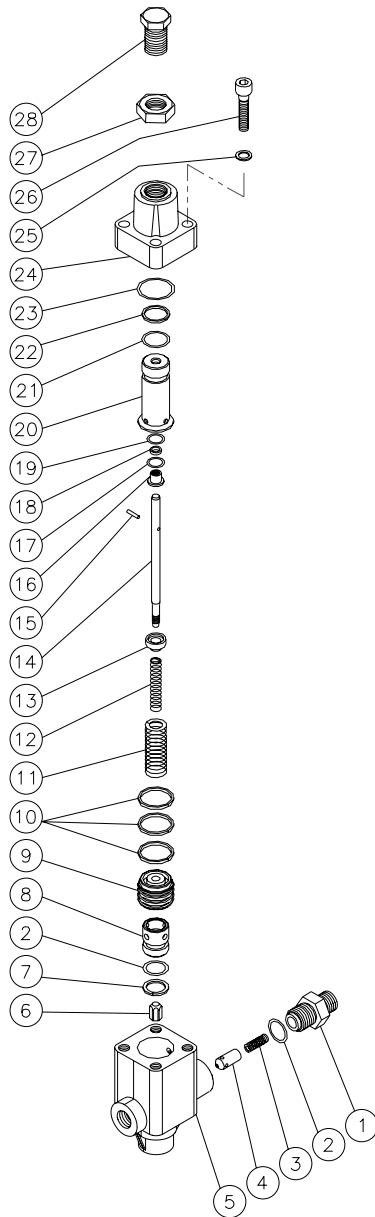
OMGEN237/121296/DCE

SAFETY RELIEF ASSEMBLY (22-0217)			
REF. #	DESCRIPTION	PART #	QTY.
1	Holder-Burst Disc	N/A	1
2	Burst Disc 10,000 PSI	22-0221	1
3	Hold Down Ring	22-0222	1
4	Plug-Pressure Relief	N/A	1



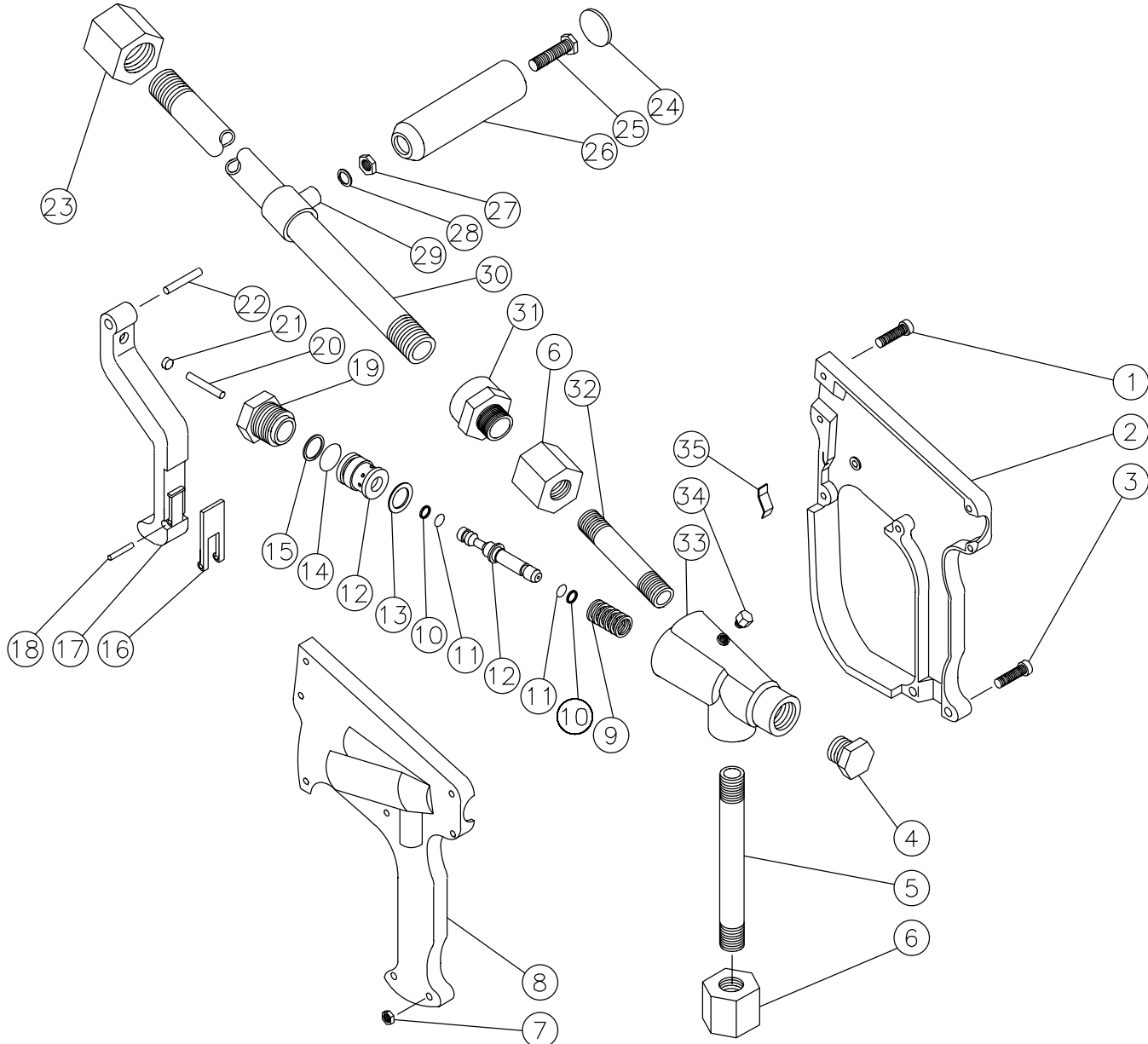
## UNLOADER ASSEMBLY (8-0436)

OMGEN238/121296/DCE



UNLOADER ASSEMBLY (8-0436)			
REF. #	DESCRIPTION	PART #	QTY.
1	Nipple	8-0459	1
2	O-ring	25-0012	2
3	Spring	49-0125	1
4	Check Valve	8-0460	1
5	Lower Body	8-0461	1
6	Piston Nipple	8-0462	1
7	Back-up Ring	25-0409	1
8	Piston Valve	8-0463	1
9	Piston Head	8-0464	1
10	O-ring	25-0410	3
11	Spring	49-0126	1
12	Spring	49-0127	1
13	Spring Retainer	8-0465	1
14	Piston	8-0466	1
15	Pin	43-0052	1
16	Retainer	8-0467	1
17	O-ring	25-0014	1
18	Back-up Ring	25-0411	1
19	O-ring	25-0412	1
20	Piston Guide	8-0468	1
21	O-ring	25-0405	1
22	Back-up Ring	25-0413	1
23	O-ring	25-0414	1
24	Upper Body	8-0469	1
25	Lockwasher	29-0155	4
26	Bolt	27-8466	4
27	Nut	30-6021	1
28	Bolt	27-8890	1

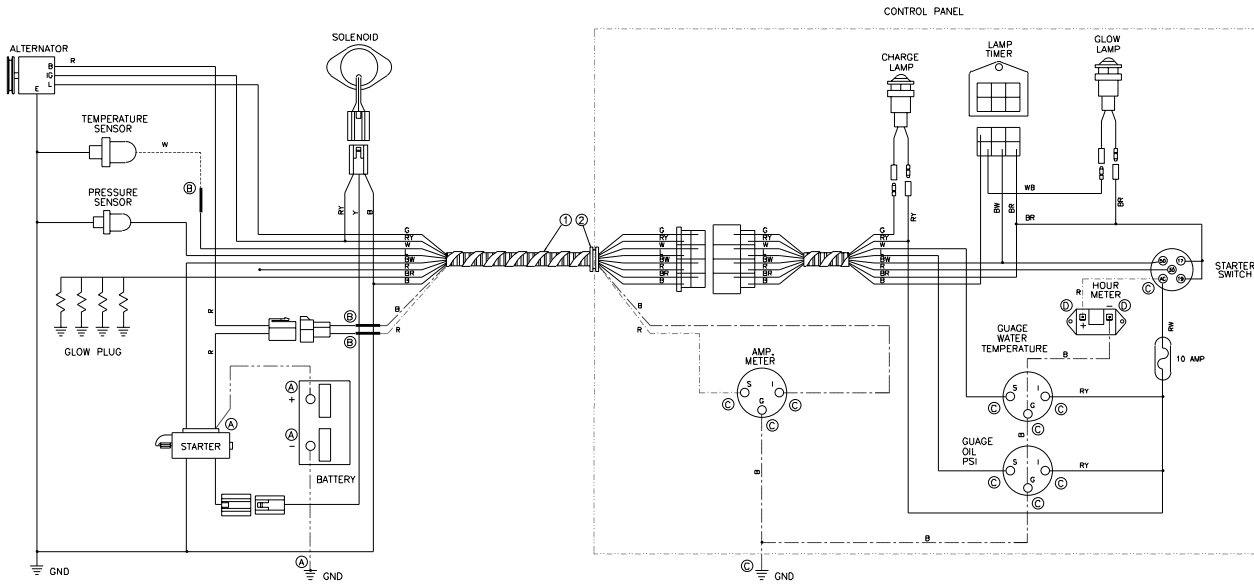
**GUN ASSEMBLY (16-0107)**



OMGEN164/120996/DCE

GUN ASSEMBLY (16-0107)								
REF. #	DESCRIPTION	PART #	QTY.					
					19	Plug	43-0075	1
1	Screw	27-8834	7		20	Piston	43-0077	1
2	Housing	16-0210	1		21	Striker	43-0077	1
3	Screw	27-8835	1		22	Pin	43-0074	1
4	Plug	23-0228	1		23	Connector	24-0116	1
5	Inlet Tubing	16-0211	1		24	Plug for Grip	16-0208	1
6	Inlet Connector	23-0231	2		25	Screw	27-8832	1
7	Locknut	30-6010	8		26	Grip Handle	62-0082	1
8	Housing-Left Side	16-0207	1		27	Nut	30-6011	1
9	Spring (See 70-0059)	N/A Sep.	1		28	Washer	28-1015	1
10	Back-up Ring (See 70-0059)	N/A Sep.	2		29	Handle Frame Grip	33-1092	1
11	O-ring (See 70-0059)	N/A Sep.	2		30	Lance-48"	16-0215	1
12	Piston (See 70-0059)	N/A Sep.	1		31	Adapter	23-0229	1
13	Washer (See 70-0059)	N/A Sep.	1		32	Outlet Tubing	16-0209	1
14	O-ring (See 70-0059)	N/A Sep.	1		33	Gun Body	23-0230	1
15	Back-up Ring (See 70-0059)	N/A Sep.	1		34	Plug	27-8833	1
16	Trigger Lock	16-0212	1		35	Spring	49=0096	1
17	Trigger	43-0076	1			Gun Repair Kit (Includes 9-15)	70-0059	
18	Pin	23-0227	1					

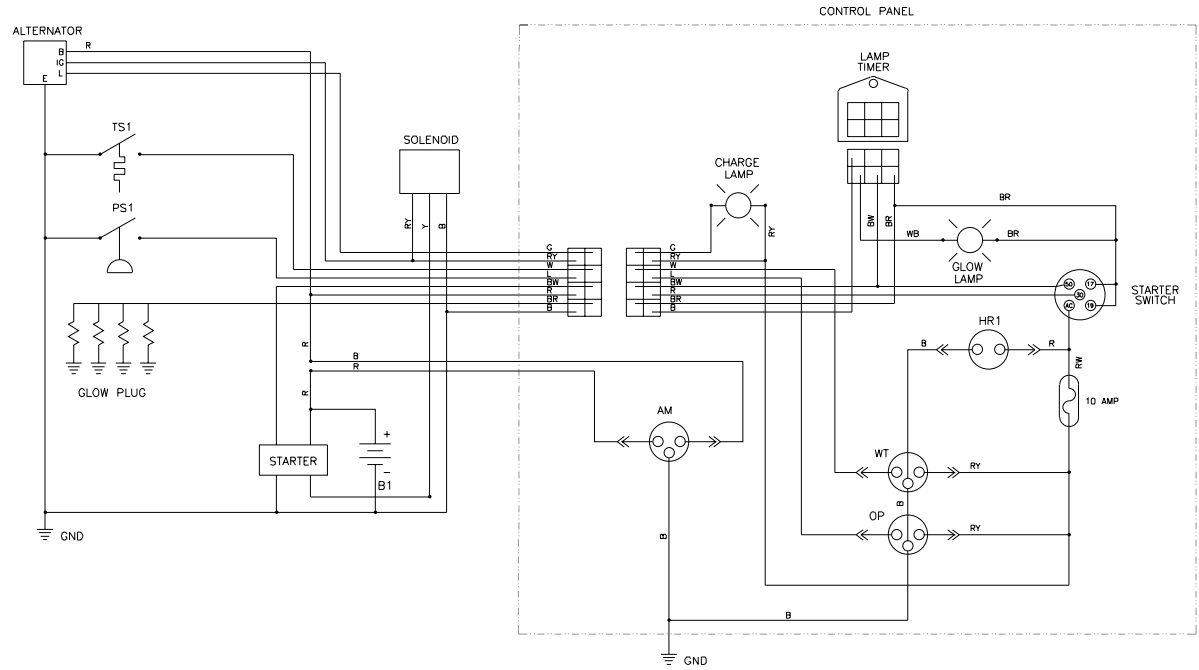
# WIRING DIAGRAM FOR CW-6106-2MDK



CWU230B/123096/DCE

WIRING DIAGRAM FOR CW-6106-2MDK			
REF. #	DESCRIPTION	PART #	QTY.
1	Wrap *(3 feet required)	33-0114	1
2	Grommet	33-0001	1
A	Terminal	32-0097	4
B	Butt Connector	32-0122	3
C	Terminal	32-0099	11
D	Terminal	32-0221	2
	Wire-Red 16 GA. *(3 feet required)	32-0092	1
	Wire-Black 16 GA. *(6 feet required)	32-0256	1
	Wire-White 16 GA. *(2 feet required)		
	Wire-#4 Black *(3 feet required)	32-0065	1
	Cable Tie	33-0022	6
*Must order in one foot lengths.			

# WIRING SCHEMATIC FOR CW-6106-2MDK



0MCWU230A/121096/DCE

CWU230A/121096/DCE

SCHEMATIC FOR CW-6106-2MDK			
REF. #	DESCRIPTION	PART #	QTY.
TS1	Water Temperature Sensor	22-0104	1
PS1	Oil Pressure Sensor	22-0102	1
B1	Battery	32-0177	1
AM	Amperature Meter	22-0100	1
HR1	Hour Meter	32-0431	1
WT	Water Temperature Gauge	22-0103	1
OP	Oil Pressure Gauge	22-0101	1

